

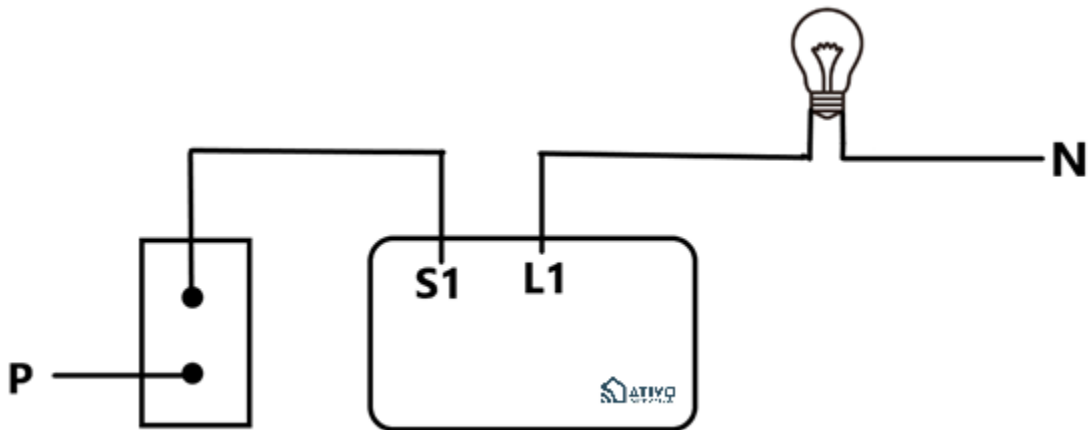
User Manual for Ativo Automation

HOLA!

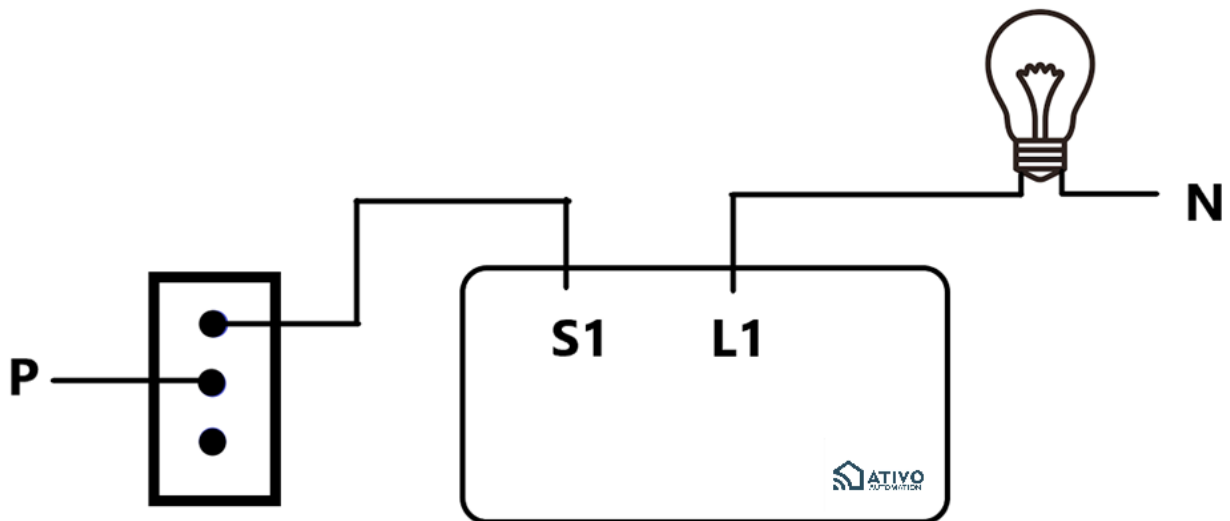
Welcome to the ATIVO AUTOMATION family. This smart WiFi based retrofittable device helps you to control and check the status of your appliances connected to it. The user manual will guide you through the device installation and configuration of the Ativo Automation app.

Installing the Device

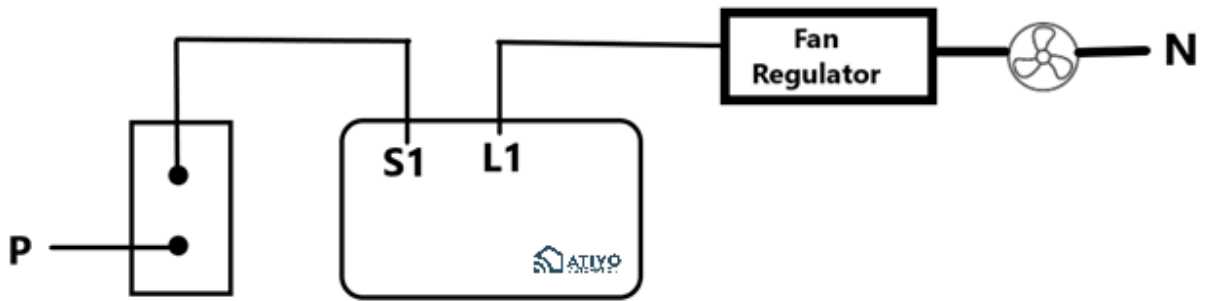
- Normal Switch



- 2-way switch



- Switch with regulator



Different Connections

8 Node configurations

<p>Alpha</p> <ul style="list-style-type: none"> • 8 Lights (L1, L2, L3, L4, L5, L6, L7, L8) with On/OFF (Each load max: 250W) 	<p>L = 150 mm</p> <p>W = 48 mm</p> <p>H = 24 mm</p> <p>S8/S7/S6/S5/S4/S3/S2/S1/L8/L7/L6/L5/L4/L3/L2/L1/P/N</p> <p>N = Neutral P = Phase S = Switch L = Load</p>
--	---

Steps for Configuration

1. Install the module behind the switchboard.
2. After the module is successfully installed, connect the module to the home WiFi router.
3. Phone Settings > WiFi Settings > Select IOTxxxxxxx > Connect to the WiFi.
4. Your module is now connected to your WiFi.

Configuring the Device

Download the Ativo Automation App

For Android users

Search for Ativo Automation app on Google play store and download the app



For Alexa users

Search for Ativo Automation skill on Amazon store and link with Alexa



For iOS users

Search for Ativo Automation app on App store and download the app



For Google Assistant users

Search for Ativo Automation action on Google Actions



Operating Ativo Automation App

1. Open the app and sign up with a new account.
2. Once the account is created ask the Ativo Automation team to assign devices to your account.
3. After the devices are assigned, a house will be seen on the Homepage of the Ativo Automation app > Select the house > Select the room > Four devices will appear through which you can control and check the status.
4. You can rename the devices as per your convenience.
5. From the Homepage you can add a scheduler and scene as per your requirement.

Adding Scheduler

1. Home Page > Scheduler > Select house > Add Scheduler > Enter the specifications > Save > Toggle the scheduler to make it ON.
2. You can turn the scheduler OFF or delete the scheduler accordingly.

Adding Scenes

1. Home Page > Scene > Select House > Create Scene > Enter the Specifications > Save > Toggle the scheduler to make it ON.
2. You can turn the scenes Off or delete a scene accordingly.
3. You can also press Power OFF All Devices to switch all the devices OFF at an instance.

Features of the App

- Device Control
- Alerts
- Scheduling
- Scenes

- Status Check

About Ativo Automation

Ativo Automation is a start-up in Ahmedabad, Gujarat which works with the aim of enhancing your day-to-day lifestyle by delivering a simpler, smarter, and a more convenient automation experience. Our mission is to automate every home, office, hotel and hospital with the best technology and user experience out there.

Contact for Technical Support

Tel No.: +91-81284-26080

Email ID: contact@ativoautomation.com